

SPHERICAL TRIANGLE Multi-CF™ FITTING

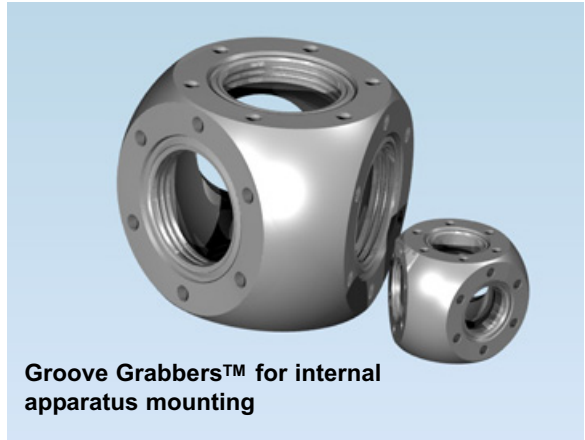
UHV VACUUM CHAMBERS with 2¾ OR 1⅓ CF PORTS INTERNAL 2.600" OR 1.100" DIAMETER SPHERICAL WORKSPACE

APPLICATIONS:

- ▶ Compact small UHV Vacuum chamber
- ▶ Portable Low-Cost UHV Systems
- ▶ High-Complexity UHV Subsystems
- ▶ UHV Vacuum Manipulator Systems
- ▶ UHV Specimen Transfer Systems
- ▶ General UHV Vacuum Plumbing

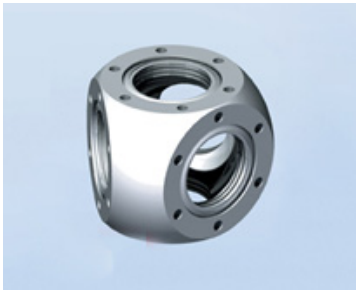
FEATURES / OPTIONS:

- ▶ Easy access small UHV vacuum chambers
- ▶ Improved UHV performance: no welds, greater port ID's, mirror finish
- ▶ Unencumbered 1.100" or 2.600" diameter spherical workspace
- ▶ 1⅓ CF or 2¾ CF sealing surfaces cut on a hollow sphere
- ▶ Convenient Groove Grabber™ internal mounting system on 2¾ CF sealing surfaces
- ▶ Unitary stainless steel 316L construction



Groove Grabbers™ for internal apparatus mounting

2¾ CF and 1⅓ CF Spherical Triangles



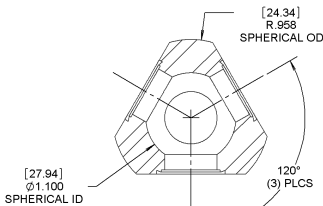
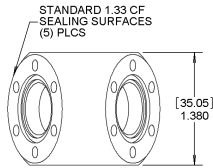
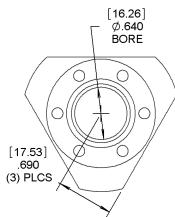
Spherical Triangle MCF133-SphTri-A5

THE 1⅓ CF and 2¾ CF SPHERICAL TRIANGLES

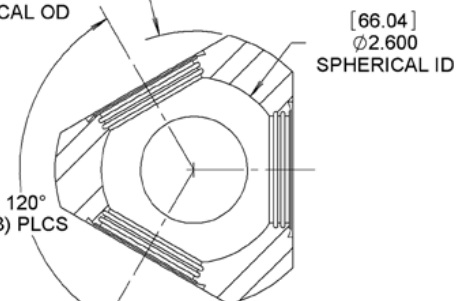
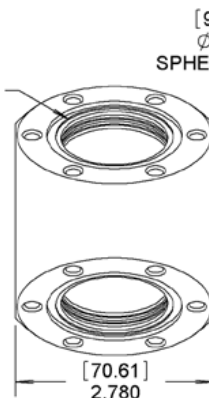
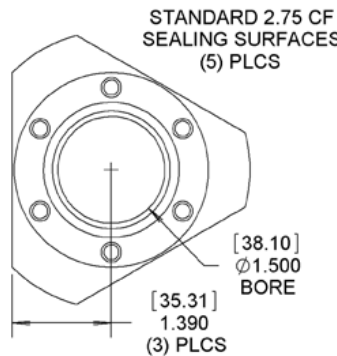
The MCF133-SphTri-A5 Spherical Triangle is a five-port Multi-CF miniature UHV vacuum chamber consisting of a hollow sphere intersected by five 1⅓ CF sealing surfaces.

The MCF275-SphTri-C5 is a larger version Spherical Triangle consisting of a hollow sphere intersected by five 2¾ CF sealing surfaces. Each 2¾ CF sealing surface has one pair of Grabber Grooves.

	MCF133-SphTri-A5	MCF275-SphTri-C5
Multi-CF FITTING	Spherical Triangle	
COMMON APPLICATION	Miniature UHV Vacuum Chamber	
CONSTRUCTION / MATERIAL	Unitary Stainless Steel 316L	
1⅓ CF SEALING SURFACES	Five with (6) 8-32 tapped bolt holes per sealing surface	None
2¾ CF SEALING SURFACES	None	Five with (6) 1/4-28 tapped bolt holes plus one pair of Grabber Grooves per sealing surface
EXTERNAL MOUNTING	None	None
INTERNAL WORK SPACE	1.100 inch Spherical I.D.	2.600 inch Spherical I.D.



MCF133-SphTri-A5



MCF275-SphTri-C5

CAUTIONS:
(1) SILVER PLATED BOLTS OR EQUIVALENT LUBRICATION MUST BE USED
(2) USE CORRECT BOLT LENGTH

ALL DIMENSIONS ARE IN INCHES (MILLIMETERS IN PARENTHESES)