



FLANGE CROSS

Multi-CF™ FITTING

ELECTRON GUNS

UNIQUE THIN CROSS MOUNTS ELECTRON OPTICS, GAUGES, AND COMPONENTS ON A 2¾ CF

APPLICATIONS:

- LENS MOUNT WITH GROOVE GRABBERS
- GAUGE MOUNTING
- GENERAL UHV PLUMBING
- GAS FEED FOR ION SOURCE SYSTEMS

FEATURES / OPTIONS:

- TWO 2¾ CF SEALING SURFACES AND
- TWO 1½ CF SEALING SURFACES
- ONE PAIR OF GRABBER GROOVES PER EACH 2¾ CF SEALING SURFACE
- UNITARY STAINLESS STEEL 316L CONSTRUCTION



ION GUNS

Flange Cross MCF275-FlgCross-C2A2

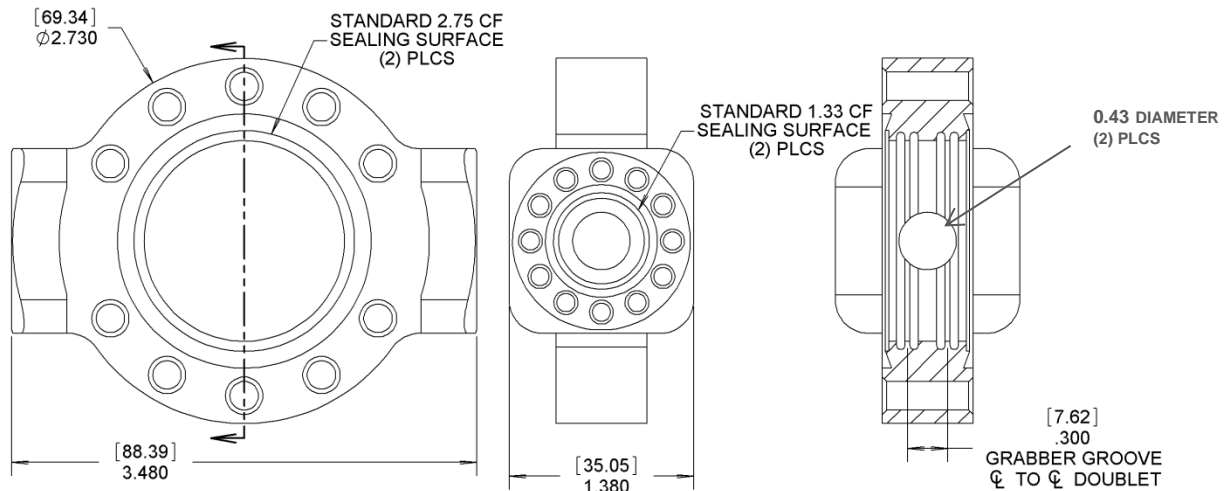
MCF275-FlgCross-C2A2	
Multi-CF FITTING	Flange Cross
COMMON APPLICATION	Miniature UHV Cross
CONSTRUCTION / MATERIAL	Unitary Stainless Steel 316L
1½ CF SEALING SURFACES	Two with (12) 8-32 tapped bolt holes per sealing surface
2¾ CF SEALING SURFACES	Two with (10) 1/4-28 tapped bolt holes, plus one pair of Grabber Grooves per sealing surface

THE FLANGE CROSS

The Flange Cross is a four-port Multi-CF Fitting consisting of two 1½ CF sealing surfaces and two 2¾ CF sealing surfaces. Within the 2¾ bore depth are two pairs of Grabber Grooves.

EMITTERS

MCF275-FlgCross-C2A2



DETECTORS

ALL DIMENSIONS ARE IN INCHES (MILLIMETERS IN PARENTHESES)

CAUTIONS:
(1) SILVER-PLATED BOLTS OR EQUIVALENT LUBRICATION MUST BE USED
(2) USE CORRECT BOLT LENGTH

COMPONENTS

INDEX / INFORMATION





FLANGE CROSS

Multi-CF™ FITTING

ELECTRON GUNS

ION GUNS

EMITTERS

DETECTORS

COMPONENTS

INDEX / INFORMATION

UNIQUE THIN CROSS MOUNTS ELECTRON OPTICS, GAUGES, AND COMPONENTS ON A 2¾ CF

APPLICATIONS:

LENS MOUNT WITH GROOVE GRABBERS
GAUGE MOUNTING
GENERAL UHV PLUMBING
GAS FEED FOR ION SOURCE SYSTEMS

FEATURES / OPTIONS:

TWO 2¾ CF SEALING SURFACES AND
FOUR 1½ CF SEALING SURFACES
ONE PAIR OF GRABBER GROOVES PER EACH 2¾ CF
SEALING SURFACE
UNITARY STAINLESS STEEL 316L CONSTRUCTION



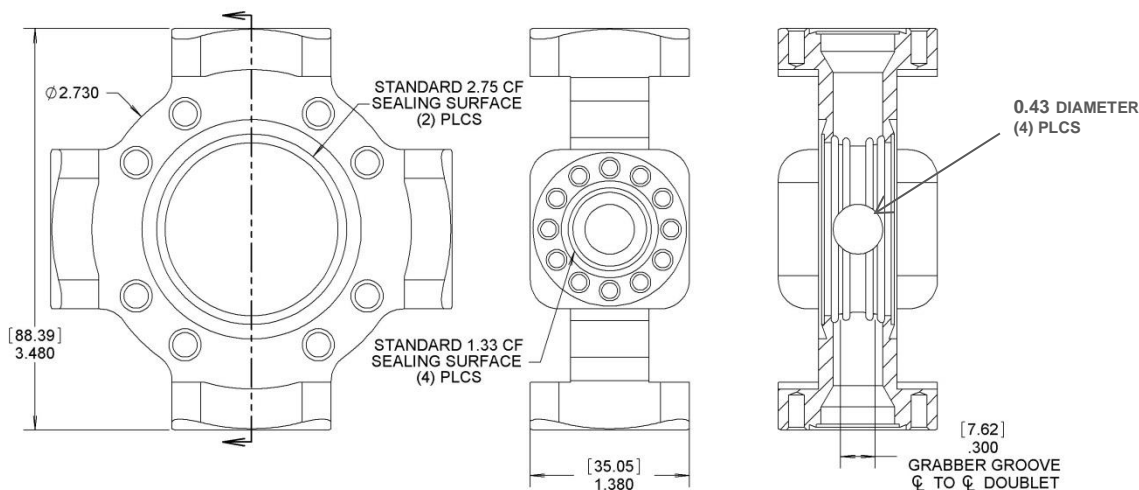
Flange Cross MCF275-FlgCross-C2A4

MCF275-FlgCross-C2A4	
Multi-CF FITTING	Flange Cross
COMMON APPLICATION	Miniature UHV Cross
CONSTRUCTION / MATERIAL	Unitary Stainless Steel 316L
1½ CF SEALING SURFACES	Four with (12) 8-32 tapped bolt holes per sealing surface
2¾ CF SEALING SURFACES	Two with (8) 1/4-28 tapped bolt holes, plus one pair of Grabber Grooves per sealing surface

THE FLANGE CROSS

The Flange Cross is a six-port Multi-CF Fitting consisting of four 1½ CF sealing surfaces and two 2¾ CF sealing surfaces. Within the 2¾ bore depth are two pairs of Grabber Grooves.

MCF275-FlgCross-C2A4



ALL DIMENSIONS ARE IN INCHES (MILLIMETERS IN PARENTHESES)

CAUTIONS:
(1) SILVER PLATED BOLTS OR EQUIVALENT LUBRICATION MUST BE USED
(2) USE CORRECT BOLT LENGTH



INDEX / INFORMATION