

# CONFLAT OD MOUNTING CLAMPS

## (FOR MULTI-CF™ FITTINGS)

### THE CONFLAT OD MOUNTING CLAMP SYSTEM

The Conflat OD Mounting Clamps were designed to secure experimental apparatus quickly and easily. The clamps have a ridge which fits into circumferential grooves which are cut into Multi-CF fittings. The clamps mount to 2 ¾, 4 ½, 6 and 8 in. KP Conflat flanges and have one large and one small sized bracket. The 2 ¾ in. size also has a more compact version (shown below mounting the MCF800-SphOct-G2C8). They are all made of black anodized aluminum.

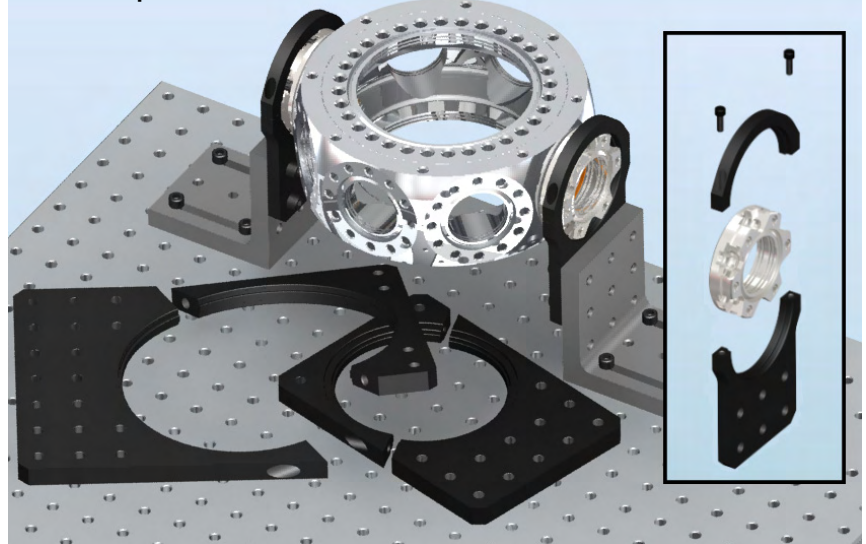
#### APPLICATIONS:

- ▶ Mount Vacuum chambers and fittings to optical tables easily & securely.
- ▶ Mount vacuum pumps & other apparatus

#### FEATURES / OPTIONS:

- ▶ Conflat flange sizes accommodated: 2¾, 4½, 6 and 8 inch.
- ▶ Rigid. Mates with standard optical table hardware.
- ▶ Allows for CF rotation during set-up and clamp-down.
- ▶ Retrofittable to existing systems. (See Mounting Flange and Adaptor Flange part numbers, next page)
- ▶ Eliminates the need for custom machining of mounting equipment.
- ▶ Fabricated from anodized aluminum.

MCF800-SphOct-G2C8



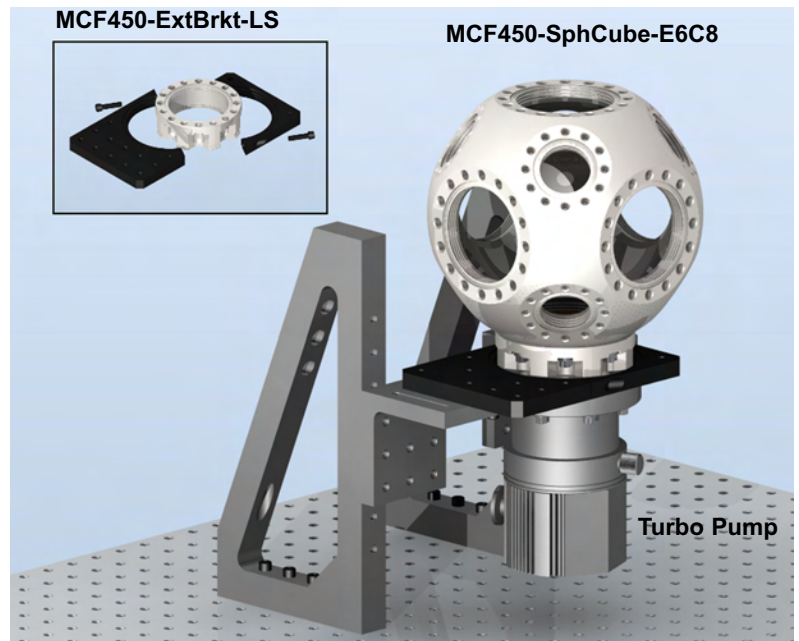
Above is depicted an 8 in. spherical octagon (MCF800-SphOct-G2C8) being mounted on an optical table using 2 ¾ CF Flange Adapters (MCF275-FlgAdptr-C2-A) and CF OD Mounting Clamps (MCF275-ExtBrkt-R). Also shown are 4 ½ and 6 in. Conflat OD Mounting Clamps. Note holes in the mounting clamps match those in optical tables and optical table hardware.

#### Mounting a flange multiplexer








Above is depicted a flange multiplexer (MCF275-FlgMplx-C3r1A4) being mounted by a 2 ¾ in. Conflat OD Mounting Clamp (MCF275-ExtBrkt-R).

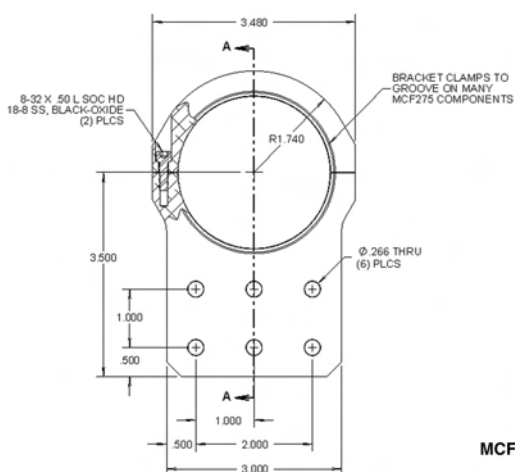
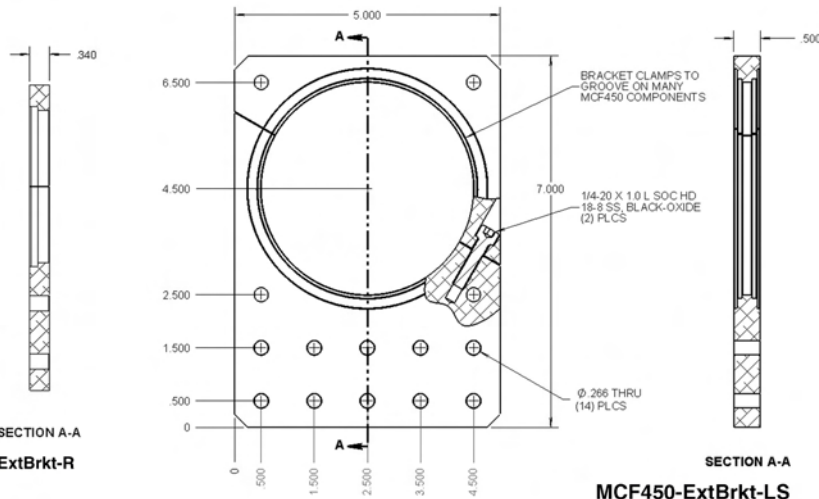
#### Mounting a spherical cube and a turbo pump



Above is depicted a 4 ½ in. Expanded Spherical Cube (MCF450-SphCube-E6C8) and a turbo pump mounted by a 4 ½ in. Conflat OD Mounting Clamp (MCF450-ExtBrkt-LS) with a 4 ½ in. Flange Adapter (MCF450-FlgAdptr-E2-A). The other brackets in light gray are standard optical table brackets.

## Part Numbers and Attachment Options

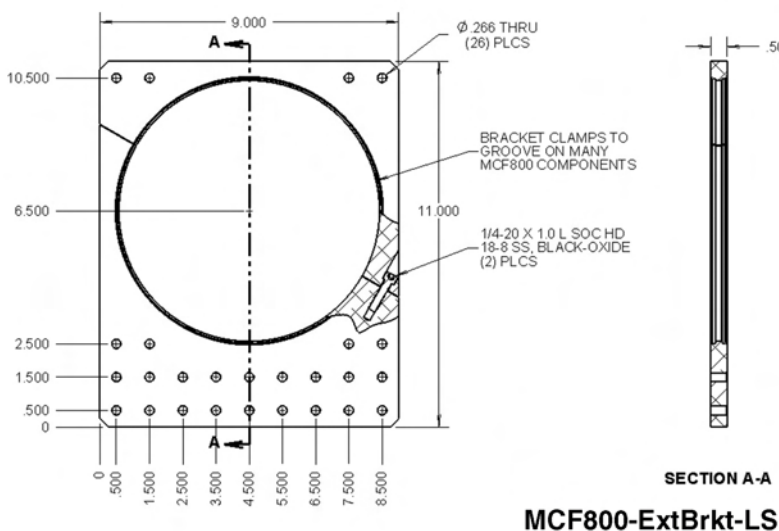
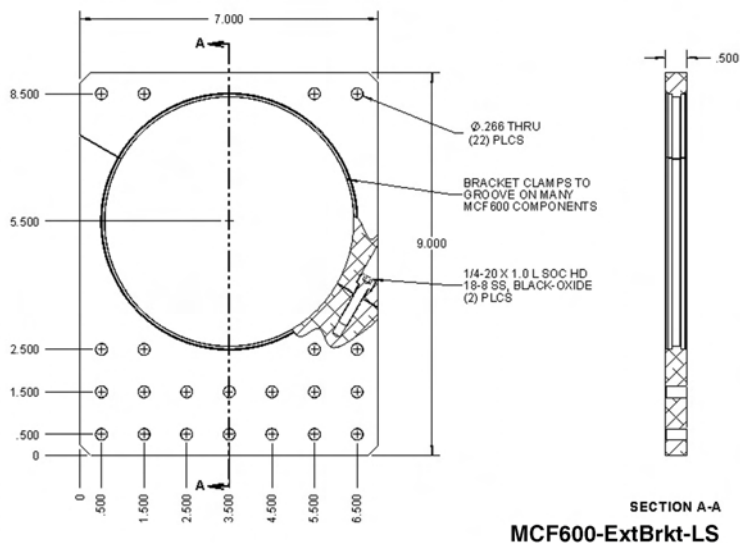
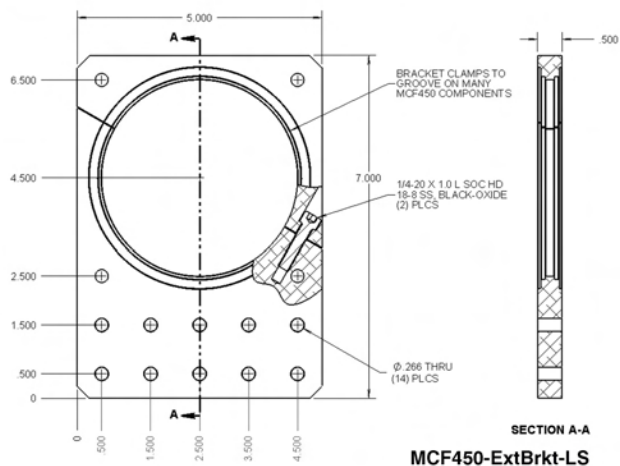
				
<b>2 3/4 CF</b>	<b>2 3/4 CF</b>	<b>4 1/2 CF</b>	<b>6 CF</b>	<b>8 CF</b>
<b>MCF275-ExtBrkt-R</b>	<b>MCF275-ExtBrkt-LS</b>	<b>MCF450-ExtBrkt-LS</b>	<b>MCF600-ExtBrkt-LS</b>	<b>MCF800-ExtBrkt-LS</b>
<b>Mates with:</b> <u>Mounting Flanges</u> MCF275-MtgFlg-C2 MCF275-MtgFlg-C1Blk MCF275-MtgFlg-C1VP  <u>Adaptor Flanges</u> MCF275-FlgAdptr-C2  <u>Flange Multiplexers</u> MCF275-FlgMplxr-C3r1A4 MCF275-FlgMplxr-C1r1A4  <u>Chambers</u> MCF275-SphOct-C2A8-A	<b>Mates with:</b> <u>Mounting Flanges</u> MCF275-MtgFlg-C2 MCF275-MtgFlg-C1Blk MCF275-MtgFlg-C1VP  <u>Adaptor Flanges</u> MCF275-FlgAdptr-C2  <u>Flange Multiplexers</u> MCF275-FlgMplxr-C3r1A4 MCF275-FlgMplxr-C1r1A4	<b>Mates with:</b> <u>Mounting Flanges</u> MCF450-MtgFlg-E2 MCF450-MtgFlg-E1Blk MCF450-MtgFlg-E1VP  <u>Adaptor Flanges</u> MCF450-FlgAdptr-E2	<b>Mates with:</b> <u>Mounting Flanges</u> MCF600-MtgFlg-F2 MCF600-MtgFlg-F1Blk MCF600-MtgFlg-F1VP	<b>Mates with:</b> <u>Mounting Flanges</u> MCF800-MtgFlg-G2 MCF800-MtgFlg-G1Blk

SECTION A-A  
MCF275-ExtBrkt-RSECTION A-A  
MCF450-ExtBrkt-LS

ALL DIMENSIONS ARE IN INCHES  
(MILLIMETERS IN PARENTHESES)

CAUTIONS:  
(1) SILVER PLATED BOLTS OR  
EQUIVALENT LUBRICATION  
MUST BE USED  
(2) USE CORRECT BOLT LENGTH

# CONFLAT OD MOUNTING CLAMPS (FOR MULTI-CF™ FITTINGS)



ALL DIMENSIONS ARE IN INCHES  
(MILLIMETERS IN PARENTHESES)

CAUTIONS:  
(1) SILVER PLATED BOLTS OR  
EQUIVALENT LUBRICATION  
MUST BE USED  
(2) USE CORRECT BOLT LENGTH