



# SPHERICAL TRIANGLE Multi-CF™ FITTING

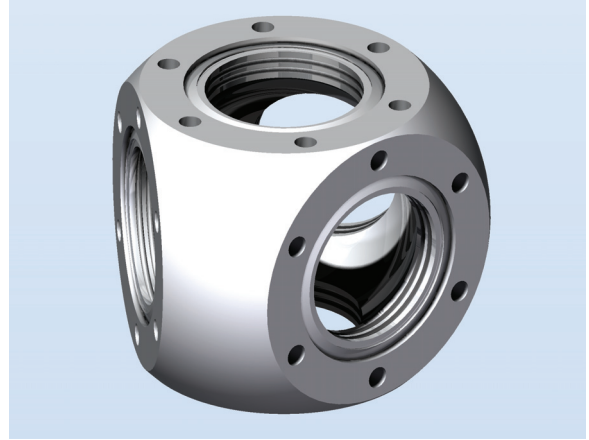
## UHV VACUUM CHAMBERS WITH 2¾ OR 1⅓ CF PORTS INTERNAL 2.600 OR 1.100 DIAMETER SPHERICAL WORKSPACE

### APPLICATIONS:

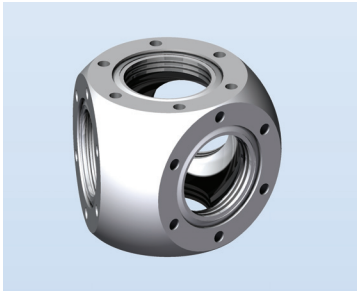
COMPACT SMALL UHV VACUUM CHAMBER  
PORTABLE LOW-COST UHV SYSTEMS  
HIGH-COMPLEXITY UHV SUBSYSTEMS  
UHV VACUUM MANIPULATOR SYSTEMS  
UHV SPECIMEN TRANSFER SYSTEMS  
GENERAL UHV VACUUM PLUMBING

### FEATURES / OPTIONS:

EASY ACCESS SMALL UHV VACUUM CHAMBERS  
UNENCUMBERED 1.100 OR 2.600 DIAMETER SPHERICAL WORKSPACE:  
1⅓ CF OR 2¾ CF SEALING SURFACES CUT ON A HOLLOW SPHERE  
GRABBER GROOVES ON 2¾ CF SEALING SURFACES  
STAINLESS STEEL 316 CONSTRUCTION



Spherical Triangle MCF275-ST500

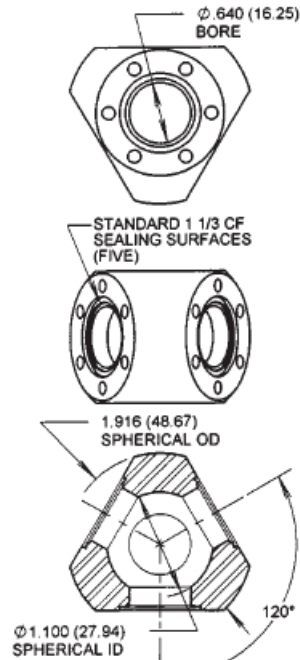


Spherical Triangle MCF133-ST5

### THE 1⅓ CF and 2¾ CF SPHERICAL TRIANGLES

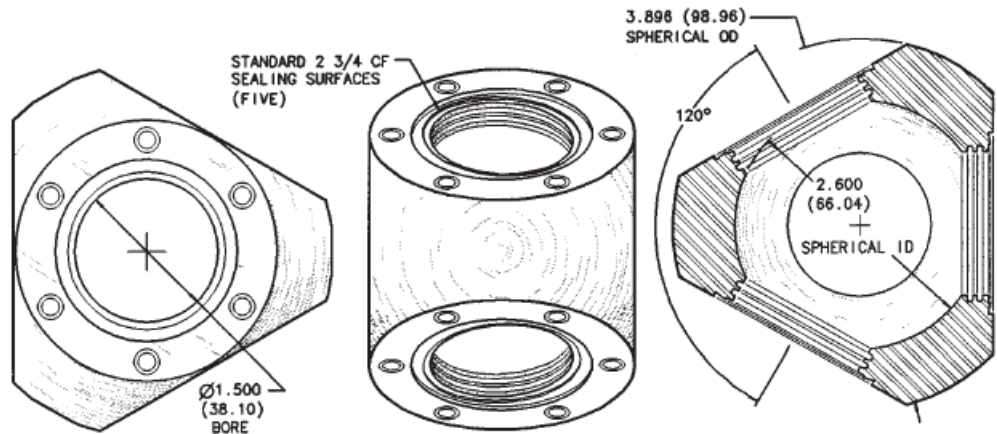
The MCF133-ST5 Spherical Triangle is a five port Multi-CF miniature UHV vacuum chamber consisting of a hollow sphere intersected by five 1⅓ CF sealing surfaces.

The MCF275-ST500 is a larger version Spherical Triangle consisting of a hollow sphere intersected by five 2¾ CF sealing surfaces. Each 2¾ CF sealing surface has one pair of Grabber Grooves.



MCF133-ST5 0.5 X

	MCF133-ST5	MCF275-ST500
Multi-CF FITTING	Spherical Triangle	
COMMON APPLICATION	Miniature UHV Vacuum Chamber	
CONSTRUCTION / MATERIAL	Unitary Stainless Steel 316	
1⅓ CF SEALING SURFACES	Five with (6) 8-32 tapped bolt holes per sealing surface	None
2¾ CF SEALING SURFACES	None	Five with (6) 1/4-28 tapped bolt holes plus one pair of Grabber Grooves per sealing surface
EXTERNAL MOUNTING	None	None
INTERNAL WORK SPACE	1.100 inch Spherical I.D.	2.600 inch Spherical I.D.



MCF275-ST500 0.5 X

ALL DIMENSIONS ARE IN INCHES  
(MILLIMETERS IN PARENTHESES)

CAUTIONS:  
(1) SILVER PLATED BOLTS OR EQUIVALENT LUBRICATION MUST BE USED  
(2) USE CORRECT BOLT LENGTH