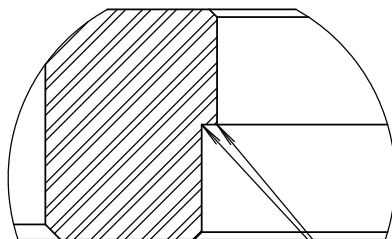
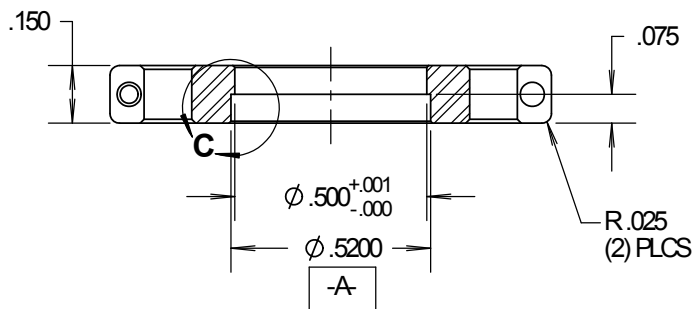


ACTUAL SIZE

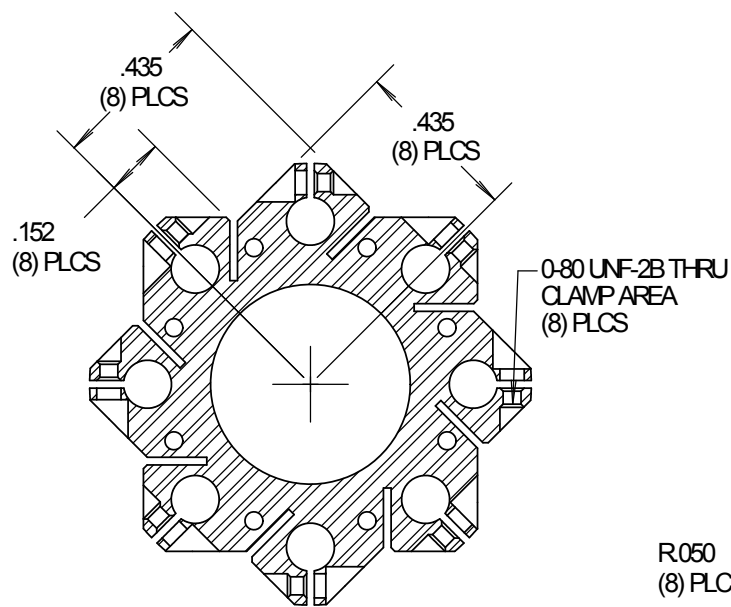


DETAIL C  
SCALE 8:1

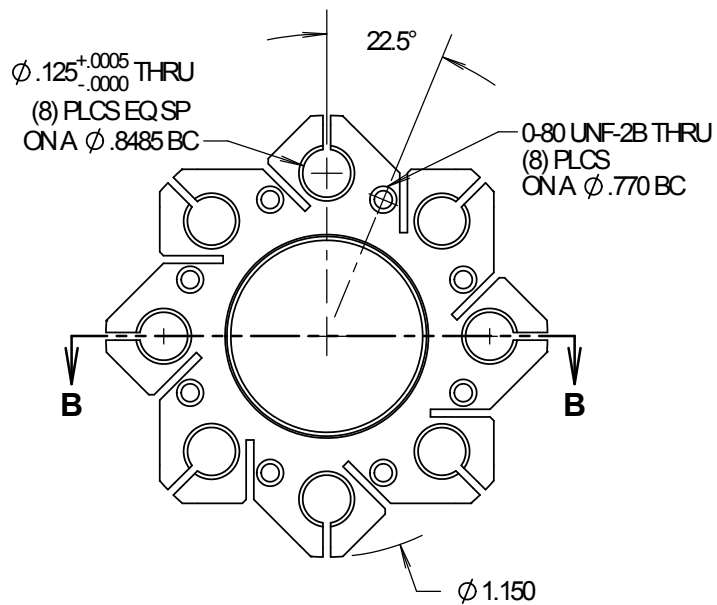
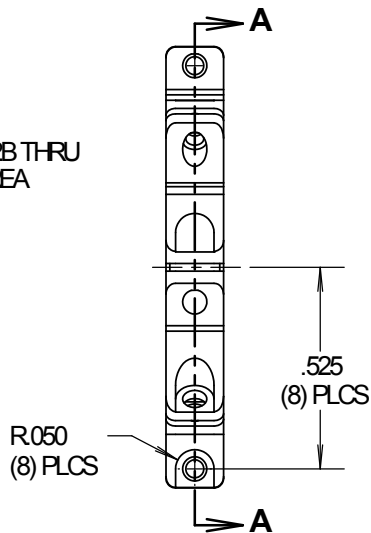
R002 MAX



SECTION B-B

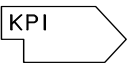


SECTION A-A



REV	DESCRIPTION	DATE	BY	CHK	QI	USED ON
A	INITIAL RELEASE	10/25/05	DJO			

THIS DOCUMENTATION IS THE PROPERTY OF KIMBALL PHYSICS, INC. AND IS PROVIDED TO THE RECEIVING PARTY (AND ITS EMPLOYEES HAVING A NEED TO KNOW) SOLELY FOR EVALUATION. IT MAY NOT BE USED BY THE RECEIVING PARTY FOR ANY OTHER PURPOSE OR DISCLOSED TO ANY THIRD PARTY WITHOUT THE WRITTEN CONSENT OF KIMBALL PHYSICS, INC.

**KIMBALL PHYSICS INC.** 

KIMBALL HILL RD., WILTON, NH 03086-9742 U.S.A. (603) 878-1616

**ELEMENT CLAMP SS-EC-8-150-500/520**

MATERIAL	316 SS	SCALE	21 A SIZE	DWG. No.	<b>SS_EC_8_150_500_520-A</b>
UNLESS OTHERWISE SPECIFIED DIMENSIONS ARE IN INCHES. DO NOT SCALE DRAWING.				SHEET 1 OF 1	MODEL No. 443E500